



**REQUEST FOR QUOTATION**

PROJECT: P20-004 Tract 2010001 Fence Replacement/ Repair Project  
LOCATION: Cottonwood Ranch Complex  
NEAR: Elm Creek, Nebraska  
REQUEST DATE: March 6, 2020  
**MANDATORY**  
**SITE SHOWING:** **March 13, 2020– 3:00 pm central time**  
CLOSING DATE: **March 18, 2019 – 5:00 pm central time**  
CONTACT: Tim R. Tunnell, Senior Land Manager  
Headwaters Corporation  
4111 4<sup>th</sup> Ave, Suite 6  
Kearney, NE 68845  
[tunnelt@headwaterscorp.com](mailto:tunnelt@headwaterscorp.com)

The undersigned acknowledges receipt of the following plans and specifications:

- # 1 (  ) Construction Specifications
- # 2 (  ) Material Specifications
- # 3 (  ) Sheet 1 – Cover
- # 4 (  ) Sheet 2 – Fence Removal & Construction Layout
- # 5 (  ) Sheet 3 – Fence Details

The undersigned, having examined the drawings and investigated the local conditions affecting the project work, hereby proposes to perform the project in accordance with the contract documents for the following rates:

THIS QUOTE SUBMITTED ON DATE: \_\_\_\_\_

The Contractor is required to submit quotes for all work Items below.

Item No.	Description	Unit	Estimated Quantity	Bid Unit Price	Bid Price
001	Mobilization and Demobilization	LS	1	\$ N/A	\$
002	Fence Removal	LF	5,395	\$	\$
003	Fence Construction	LF	5,395	\$	\$

**TOTAL QUOTE PRICE** \_\_\_\_\_

\_\_\_\_\_ dollars (\$ \_\_\_\_\_ )

**WORK COMPLETION DATE:** \_\_\_\_\_

THIS QUOTE SUBMITTED BY:

**An Individual**

Name (typed or printed): \_\_\_\_\_

By: \_\_\_\_\_ (SEAL)

*(Individual's signature)*

Doing business as: \_\_\_\_\_

**A Partnership**

Partnership Name: \_\_\_\_\_ (SEAL)

By: \_\_\_\_\_

*(Signature of general partner - attach evidence of authority to sign)*

Name (typed or printed): \_\_\_\_\_

**A Corporation**

Corporation Name: \_\_\_\_\_ (SEAL)

State of Incorporation: \_\_\_\_\_

Type (General Business, Professional, Service, Limited Liability): \_\_\_\_\_

By: \_\_\_\_\_

*(Signature - attach evidence of authority to sign)*

Name (typed or printed): \_\_\_\_\_

Title: \_\_\_\_\_

(CORPORATE SEAL)

Attest: \_\_\_\_\_

*(Signature of Corporate Secretary)*

**CONTACT INFORMATION:**

Bidder's Business Address: \_\_\_\_\_

Phone: \_\_\_\_\_ Facsimile: \_\_\_\_\_



## PROJECT SPECIFICATIONS

### PART 01 GENERAL

#### 1.1 SUMMARY

1.1.1 Description of Work: Furnish equipment, transportation, labor, supervision, supplies, and materials, to install 4-wire barbed wire fence in accordance to specifications on Sheet 3 and in accordance to the Specifications and Material Specifications for the project.

1.1.2 Location: Work under this Contract is located in Phelps County, Nebraska. The work site is located southwest of the city of Elm Creek on the Platte River. Sheet 1 identifies the project location.

1.1.3 Schedule of Work: The performance period of this Contract shall be from date of award through **May 1, 2020**.

#### 1.2 LIABILITY/INSURANCE

1.2.1 The successful bidder agrees to carry appropriate Workers' Compensation, hazard and liability insurance coverage during the term of this contract. The successful bidder shall furnish the Program satisfactory proof of coverage of the applicable insurance required. Upon request from the Program, the Contractor shall have the Program and Nebraska Community Foundation named as an additional insured on the Contractor's policy and provide the Program with evidence that the appropriate insurance coverage is in effect. Any bidder being self-insured must submit complete documentation that shows the company has sufficient insurance coverage to cover the terms and conditions of the contract.

#### 1.3 QUALITY ASSURANCE

1.3.1 Code and Standards: The work shall comply with the specification as written, and with codes and standards applicable to this type of work. This Contract may incorporate the use of specialized equipment to perform the required end product, with the same force and effect as if they were given in full text.

#### 1.4 PROJECT/SITE CONDITIONS

1.4.1 Access to the Work: Public roads and unpaved access road on the property. All of work takes place within the floodplain of the Platte River.



**CONSTRUCTION AND MATERIAL SPECIFICATIONS**

**for**

P20-004 Tract 2010001 Fence Replacement Project

**The work to be performed under these specifications consists of:**

Activities in this project include removing approximately 5,395 LF four-wire livestock fence and constructing 5,395 LF of four-wire livestock fence.

**The proposed work is in parts of South ½ Sec 9 & 10 T\_8-N R\_19-W,  
approximately 6 miles from Elm Creek, Nebraska.**

These specifications are a part of the construction plans. The work shall be performed in accordance with the drawings and specifications unless otherwise approved, in writing, by the Program’s Project Engineer. For items of work requiring Program inspection and/or approval, it is the responsibility of the contractor to keep the Project Engineer informed on the status of the work so that timely inspection may be provided. Work performed without the Program being provided the opportunity for inspection may not be accepted. All work on the project will conform to the title drawings and the following applicable specifications are marked in Column No. 1.

COL. #1	SPEC. NO.	SPECIFICATION TITLE
X	CS-01	Mobilization and Demobilization
X	CS-92	Field Fence
X	MS-591	Field Fencing Material
X	MS- 585	Wood Preservatives and Treatment



## **CONSTRUCTION SPECIFICATION CS-01**

### **MOBILIZATION AND DEMOBILIZATION**

#### **1. Description.**

The work shall consist of the mobilization and demobilization of the Contractor's forces and the equipment necessary for performing the work described in the Request for Quote and detailed in the Construction Plan Sheets.

#### **2. Equipment & Materials.**

**2.1** Mobilization shall include all activities and costs for transportation of personnel, equipment and supplies/materials to the site, establishment of offices, buildings and other necessary facilities for the Contractor's operations at the site.

**2.2** Demobilization shall include all activities and costs for transportation of personnel, equipment and any excess supplies/materials, including the disassembly, removal and site cleanup of any offices, buildings or other facilities assembled on the site by the Contractor.

**2.3** The Contractor shall be responsible for all required permits for transportation of the Contractor's equipment. All equipment and materials shall be mobilized and demobilized in accordance with all local, state and federal laws related to transportation and safety.

**2.4** Upon completion of the work, the Contractor shall restore all access areas to the same condition as prior to the start of the work.

**2.5** The Contractor is responsible for security of the Contractor's equipment while on site.

#### **3. Measurement and Method of Payment**

**3.1** Payment of the lump sum price for mobilization and demobilization shall be made after the work is completed, after presentation of invoices by the Contractor.

**3.2** Payment will not be made under this item for the purchase costs of materials having a residual value, the purchase costs of materials to be incorporated in the project, or the purchase costs of operating supplies.

# Construction Specification 92—Field Fence

## 1. Scope

The work shall consist of furnishing and installing field fence, including gates and fittings.

## 2. Material

Material for field fence shall conform to the requirements of Material Specification 591. All wooden posts shall be of the same species, when available.

## 3. Setting posts

Concrete or wood posts shall be set in holes and backfilled with earth except where otherwise specified. Wood posts may be driven when approved by the engineer. Steel posts shall be driven unless otherwise specified.

Holes for installing fence posts shall be at least 6 inches larger than the diameter or side dimension of the posts.

Earth backfill around posts shall be thoroughly tamped in layers not thicker than 4 inches and shall completely fill the posthole up to the ground surface. Concrete backfill around posts shall be rodded into place in layers not thicker than 12 inches and shall completely fill the posthole to the surface of the ground. Backfill, either earth or concrete, shall be crowned-up around posts at the ground surface.

No stress shall be applied to posts set in concrete for a period of not less than 24 hours following the development of a firm set of the concrete.

## 4. Corner assembly

Unless otherwise specified in section 11, corner assemblies shall be installed at all points where the fence alignment changes 15 degrees or more.

## 5. End panels

End panels shall be built at gates and fence ends.

## 6. Pull post assembly

Pull post assembly (bracing within a section of straight fence) shall be installed at the following locations:

- a. In straight fence sections, at intervals not to exceed 660 feet.
- b. At any point where the vertical angle described by two adjacent reaches of wire is upward and exceeds 10 degrees (except as provided in section 11 of this specification).
- c. At the beginning and end of each curved fence section.

## 7. Attaching fencing to posts

The fencing shall be stretched and attached to posts as follows:

- a. The fencing wire or netting shall be placed on the side of the post opposite the area being protected except for installation along curved sections.
- b. The fencing wire or netting shall be placed on the outside for installation along curved

sections.

- c. The fencing wire or netting shall be fastened to each end post, corner post, and pull post by wrapping each horizontal strand around the post and tying it back on itself with not less than three tightly wound wraps.
- d. The fencing wire or netting shall be fastened to wooden line posts by means of steel staples.  
Woven-wire fencing shall be attached at alternate horizontal strands. Each strand of barbed wire shall be attached to each post. Steel staples shall be driven diagonally with the grain of wood and at a slight downward angle and shall not be driven so tightly as to bind the wire against the post.
- e. The fencing wire or netting shall be fastened to steel or concrete line posts with either two turns of 14 gauge galvanized steel or iron wire or in accordance with recommendations provided by the post's manufacturer.
- f. Wire shall be spliced by means of a Western Union splice or by suitable splice sleeves applied with a tool designed for that purpose. The Western Union splice shall have no less than eight wraps of each end about the other. All wraps shall be tightly wound and closely spaced. Splices made with splice sleeves shall have a tensile strength no less than 80 percent of the strength of the wire being spliced.

## **8. Stays**

Stays shall be attached to the fencing at the spacing outlined in section 11 or as shown on the drawings to ensure maintenance of the proper spacing of the fence wire strands.

## **9. Crossings at depressions and watercourses**

Where fencing is installed parallel to the ground surface, the line posts subject to upward pull shall be anchored.

- a. If the fence wire or netting is installed parallel to the ground surface, the line posts subject to uplift shall be anchored by means of extra embedment or by special anchors as detailed on the drawings.
- b. If the fence wire is installed with the top wire straight and parallel to the ground surface on either side of the depression, extra length posts shall be used to allow normal post embedment. Unless otherwise specified, excess space between the bottom of the fence and the ground shall be closed with extra strands of barbed wire or with netting.

## **10. Items of work and construction details**

Construction details are included in the Construction Drawings on Sheet 15.



## Material Specification 591—Field Fencing Material

### 1. Scope

This specification provides the minimum quality requirements for the material used in the construction of field fences.

### 2. Wire gauge

When the size of steel wire is designated by gage number, the diameter shall be as defined for U.S. Steel Wire Gauge.

### 3. Fencing

Fencing material shall conform to the requirements of ASTM A 121 for barbed wire, ASTM A 116 for woven wire, ASTM A 390 for poultry fence or netting, and ASTM A 854 for high-tensile wire. Barbed wire and woven wire shall be class 3 zinc coated unless otherwise specified. High-tensile wire shall have type I zinc coating unless otherwise specified.

### 4. Stays, fasteners, and tension wire

Stays and fasteners shall conform to the requirements of the appropriate ASTM for the fencing material specified unless otherwise specified. Tension wires shall have a tensile strength not less than 58,000 pounds per square inch. Stays, fasteners and tension wire shall have class 3 zinc coating as specified in ASTM A 641.

### 5. Wood fence posts and braces

Unless otherwise specified, wood posts shall be of black locust, red cedar, osage orange (Bois d'Arc), redwood, pressure treated pine, or other wood of equal life and strength. At least half the diameter or diagonal dimension of red cedar or redwood posts shall be in heartwood. Pressure treatment shall conform to Material Specification 585, Wood Preservatives and Treatment **and shall be creosote type preservative**. The posts shall be sound, new, free from decay, with all limbs trimmed substantially flush with the body. All posts shall be substantially straight throughout their full length.

Wood braces shall be of wood material equal to or better than construction grade Douglas fir. Wood braces shall be pressure treated in conformance with

Material Specification 585.

### 6. Steel fence posts and braces

Steel fence posts and braces shall conform to the requirements of ASTM A 702 for steel fence posts and ASTM A 53 for bracing pipes. Posts with punched tabs for fastening the wires shall not be installed.

### 7. Concrete fence posts

Concrete fence posts shall be manufactured to the specified requirements of size, shape, and strength.

### 8. Panel gates

Panel gates shall be the specified types, sizes, and quality and shall include the necessary fittings required for installation. The fittings shall consist of not less than two hinges and one latch or galvanized chain for fastening. Latches shall be of such design that a padlock may be used for locking. All fittings shall not be of lesser quality than the gate manufacturer's standard.

### 9. Wire gates

Wire gates shall be the type shown on the drawings, constructed in accordance with specifications, at the locations, and to the dimensions shown on the drawings. The material shall conform to the kinds, grades, and sizes specified for new fence, and shall include the necessary fittings and stays.

### 10. Staples

Staples required to secure the fence wire to wood posts shall be 9-gauge galvanized wire with a minimum length of 1.5 inches for soft woods and a minimum length of 1 inch for close-grain hardwoods.

### 11. Galvanizing

All iron and steel fencing material, except as otherwise specified, shall be zinc coated by the hot dip process meeting the requirements of Material Specification 582. Clips, bolts, and other small hardware may be protected by electro-deposited zinc or cadmium coating.

---

## Material Specification 585—Wood Preservatives and Treatment

### 1. Scope

This specification covers the quality of wood preservatives, treatment processes, quality of treated material, and marking related to preservative treatment. Included are requirements for fasteners, connectors, and any other metal that will be in contact with preservative treated wood.

### 2. Treatment processes

Treatment processes may use any combination of atmospheric air, initial air pressure, or vacuum and pressure that will achieve the desired results without damaging the wood.

### 3. Preservatives

The wood shall be treated with the specified type of preservative.

### 4. Quality of treated material

Treated lumber, timber, piles, poles, or posts shall be free from heat checks, water bursts, excessive checking, chafing damage, or from any other damage or defects that would impair their usefulness or durability for the purpose intended. The use of s-irons is not permitted. Holes bored for tests shall be filled with tight fitting, treated wood plugs.

### 5. Marking

Each treated wood item delivered to the job site shall be identified with a label, brand, or stamp that lists: the product name or logo; treatment company name and location; names of the preservative components;

treatment end use category; minimum retention; and the applicable AWPA treatment standard or the number of the evaluation report from an evaluation service recognized by the International Code Council at <http://www.iccsafe.org>.

### 6. Fasteners and Connectors

All fasteners, connectors, and any other metal contacting preservative treated wood shall be hot-dip galvanized or stainless steel. Unless otherwise specified, all fasteners, connectors, and any other metal contacting alkali copper quaternary (ACQ) or copper azole (CA) treated wood shall be stainless steel. Galvanizing for fasteners shall conform to ASTM A153. Galvanizing for connectors made from steel sheet shall conform to ASTM A653, Class G185. Galvanizing for all other metal in contact with preservative treated wood shall conform to ASTM A123. Stainless steel shall be AISI Type 304 or 316.



ITEM	DESCRIPTION	UNITS	PRELIM QUANTS	FINAL QUANTS
001	MOBILIZATION	LS	1	
002	FENCE CONSTRUCTION	LF	10,314	
003	FENCE REMOVAL	LF	8,101	
004	16 Ft. METAL GATE INSTALLATION	EA	2	
005	16 Ft. WIRE GATE INSTALLATION	EA	5	
006	4 Ft. METAL GATE INSTALLATION	EA	1	

## PLATTE RIVER RECOVERY IMPLEMENTATION PROGRAM

# Tract 2010001 Fence Replacement/ Repair Project

IN PHELPS COUNTY, NE

### SPECIFICATIONS

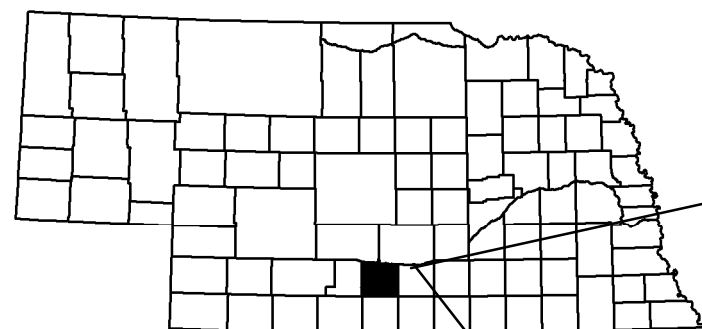
CS-01 MOBILIZATION AND DEMOBILIZATION  
CS-92 FIELD FENCE

### MATERIAL SPECIFICATIONS

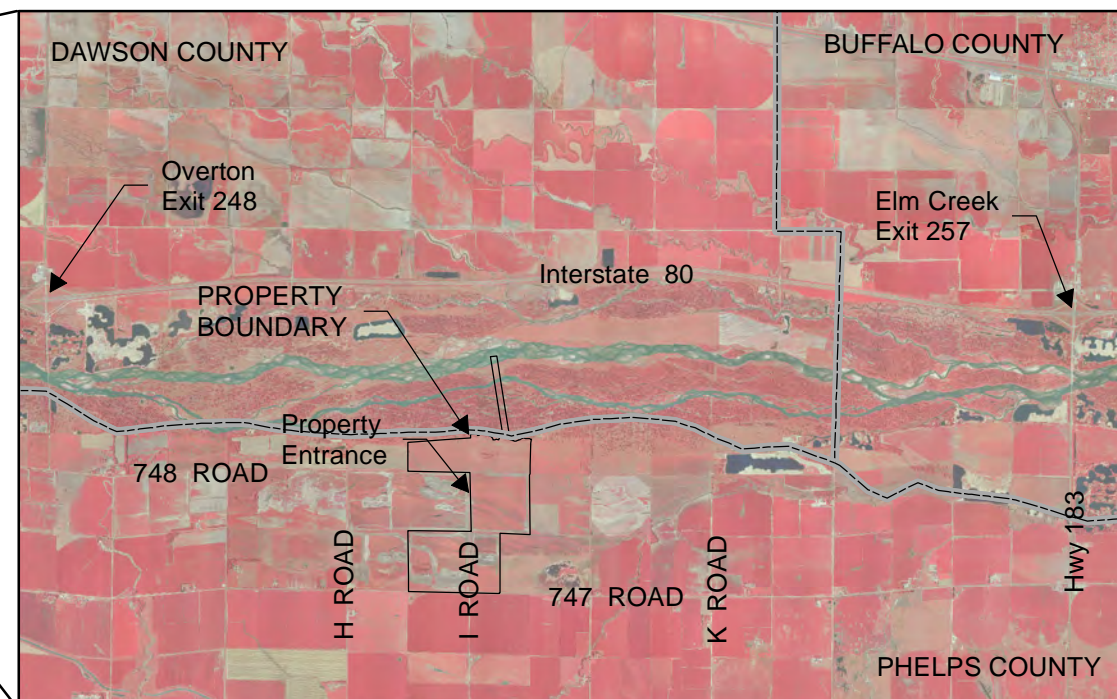
MS-591 FIELD FENCING MATERIAL  
MS-585 WOOD PRESERVATIVES AND TREATMENT

### INDEX

- 1 COVER SHEET
- 2 FENCE REMOVAL LAYOUT
- 3 FENCE CONSTRUCTION LAYOUT
- 4 FENCE DETAILS



**PROJECT LOCATION**



**CAUTION**

The Platte River Recovery Implementation Program will not be responsible for, or liable for, unauthorized changes to, or uses of these plans. All changes to the plans must be in writing and must be approved by the Program.



PROJECT NO. P20-004

Tract 2010001 Fence Replacement/ Repair Project

**COVER SHEET**

SHEET NO:

**1 of 3**

DATE:

03/03/20

DRAWN BY:

TRT

PHELPS COUNTY

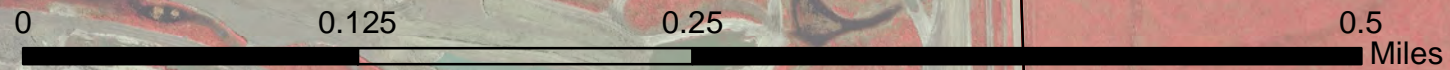


Remove & replace 5,395 LF of 4-wire barbed wire fence.  
See Sheet 3 for details

Leave wire gate.

**Legend**

x-x-x 2019\_Morse\_North\_Fence\_Construction



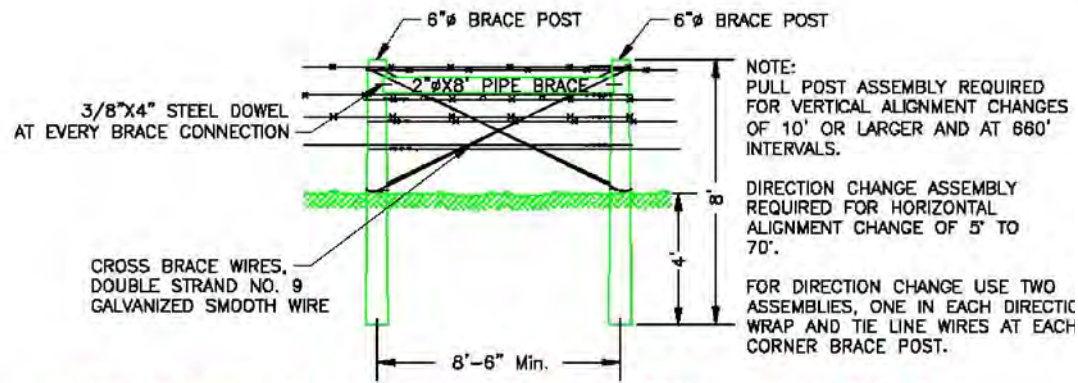
PROJECT NO. P20-004

Tract 2010001 Fence  
Replacement/ Repair Project  
**FENCE REMOVAL  
LAYOUT**

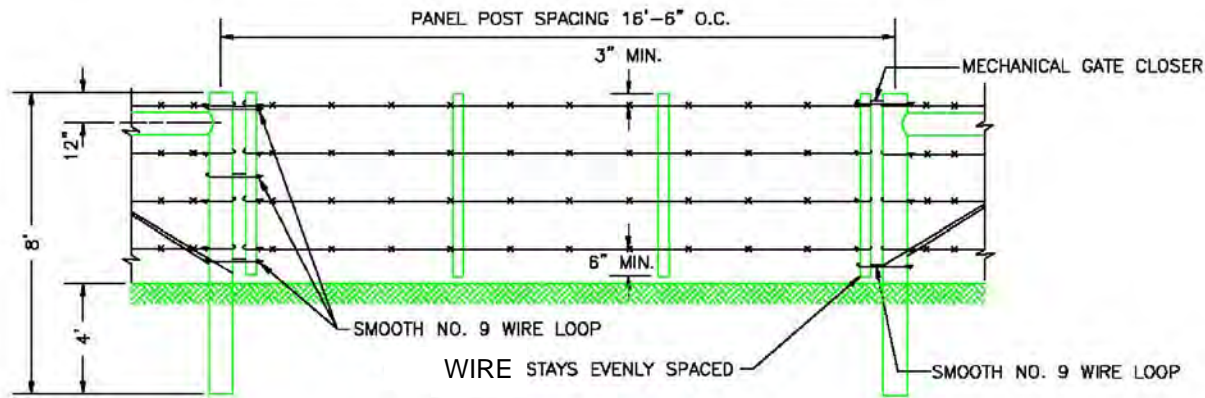
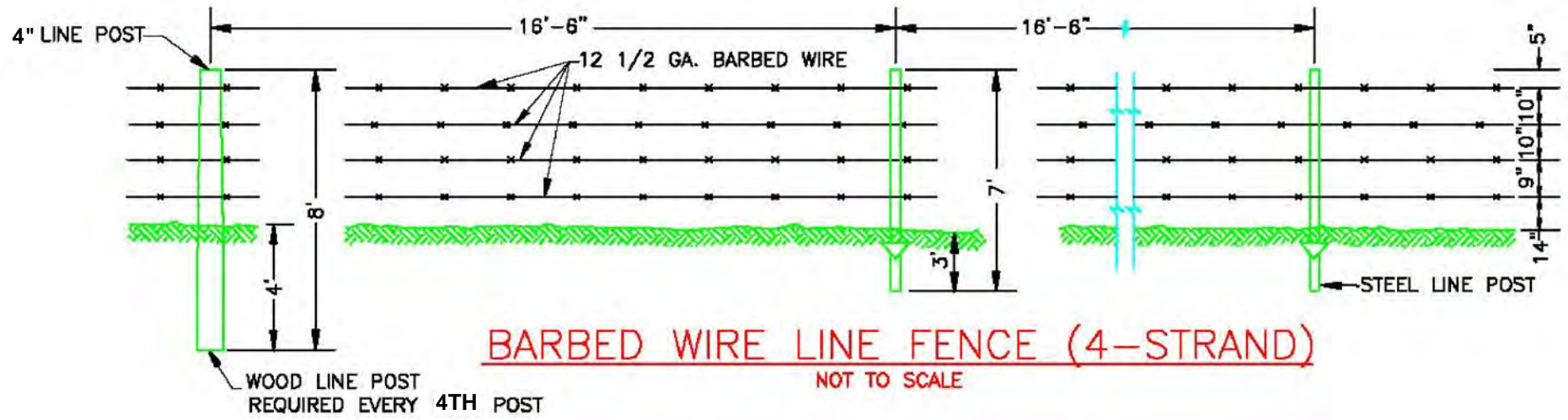
SHEET NO:  
**2 of 3**

DATE:  
03/03/20

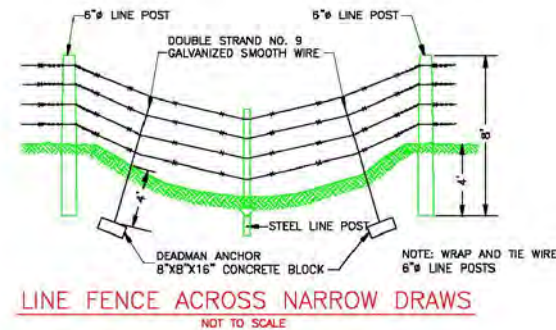
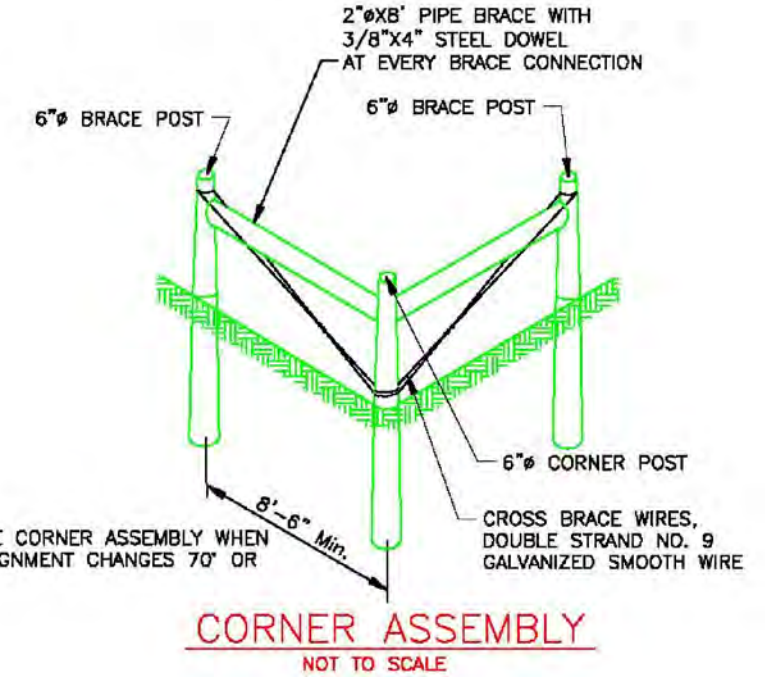
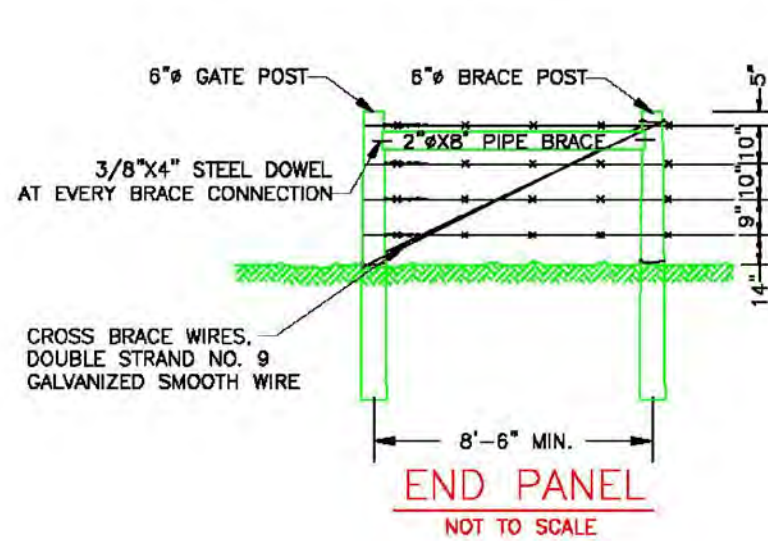
DRAWN BY:  
TRT



**PULL POST AND DIRECTION CHANGE ASSEMBLY**  
NOT TO SCALE



**WIRE GATE**  
NOT TO SCALE



- NOTES:
1. NOTCH GATE POSTS, BRACE POSTS, AND CORNER POSTS 1" FOR THE HORIZONTAL 2" DIAMETER BY 8" STEEL POST.
  2. FASTEN EACH HORIZONTAL BRACE WITH 3/8" x 4" STEEL DOWEL, 2" INTO THE POST.
  3. STAPLE NO. 9 CROSS-BRACE WIRES TO QUARTER POINTS OF POSTS.
  4. BARBED WIRE TO CONSIST OF TWO STRAND 12 1/2 GAUGE GALVANIZED WIRE WITH Z-POINT 14 GAUGE BARBS SPACE ON ABOUT 4" CENTERS. WIRE SHOULD BE RED-BRAND BARBED WIRE OR EQUIVALENT. WIRE SHOULD NEVER BE KINKED OR NICKED.
  5. ALL STEEL LINE POSTS SHALL BE TEE TYPE, WITH TRIANGULAR SHAPED GROUND PRESSURE PLATE. POSTS SHALL BE PAINTED IN ACCORDANCE WITH CONSTRUCTION SPECIFICATIONS. FASTEN BARBED WIRE TO LINE POSTS WITH STANDARD CLAMPS.
  6. ALL CORNER, GATE POSTS, AND PULL POSTS SHALL BE WOOD AND TREATED IN ACCORDANCE WITH CONSTRUCTION SPECIFICATIONS.
  7. STAPLES TO BE NO. 9 GAUGE, 1 1/2" LONG (1" LONG FOR HARDWOODS). AT CORNER AND GATE POSTS STAPLE EACH WIRE AT QUARTER POINTS OF POSTS. AT BRACE POSTS DOUBLE STAPLE EACH WIRE. DRIVE STAPLES DIAGONAL TO WOOD GRAIN AND AT A SLIGHT DOWNWARD ANGLE. WIRE SHALL BE WRAPPED AROUND EACH GATE POST, BRACE POST, AND CORNER POST TWICE AND TIED BACK ONTO ITSELF WITH AT LEAST 3 TIGHTLY WOUND WRAPS.
  8. POSTS SHALL BE SET VERTICALLY AND IN ALIGNMENT PER PLANS.
  9. WHEN WIRE SPLICE IS REQUIRED USE "WESTERN UNION SPLICE".
  10. BACKFILL SHALL BE TAMPED IN LAYERS LESS THAN 4", FILL HOLE TO GROUND LEVEL, EARTH FILL SHALL BE CROWNED AROUND POST.



PROJECT NO. P20-004		
Tract 2010001 Fence Replacement/ Repair Project <b>FENCE DETAILS</b>		
SHEET NO: <b>3 of 3</b>	DATE: 03/03/20	DRAWN BY: TRT