



## REQUEST FOR QUOTATION

PROJECT: P21-003 Tract 2018001 Fence Replacement  
LOCATION: Clark Island Complex  
NEAR: Gibbon, Nebraska  
REQUEST DATE: March 5, 2021  
**MANDATORY**  
**SITE SHOWING: March 12, 2021– 1:00 pm central time**  
CLOSING DATE: March 26, 2021 – 5:00 pm central time  
CONTACT: Tim R. Tunnell, Senior Land Manager  
Headwaters Corporation  
4111 4<sup>th</sup> Ave, Suite 6  
Kearney, NE 68845  
[tunnelt@headwaterscorp.com](mailto:tunnelt@headwaterscorp.com)

The undersigned acknowledges receipt of the following plans and specifications:

- # 1 (\_\_\_) Construction Specifications
- # 2 (\_\_\_) Material Specifications
- # 3 (\_\_\_) Sheet 1 – Cover
- # 4 (\_\_\_) Sheet 2 – Fence Removal Layout
- # 5 (\_\_\_) Sheet 3 – Fence Construction Layout
- # 6 (\_\_\_) Sheet 4 – Gate Installation Layout
- # 7 (\_\_\_) Sheet 5 – Barbed Wire Fence Details

The undersigned, having examined the drawings and investigated the local conditions affecting the project work, hereby proposes to perform the project in accordance with the contract documents for the following rates:

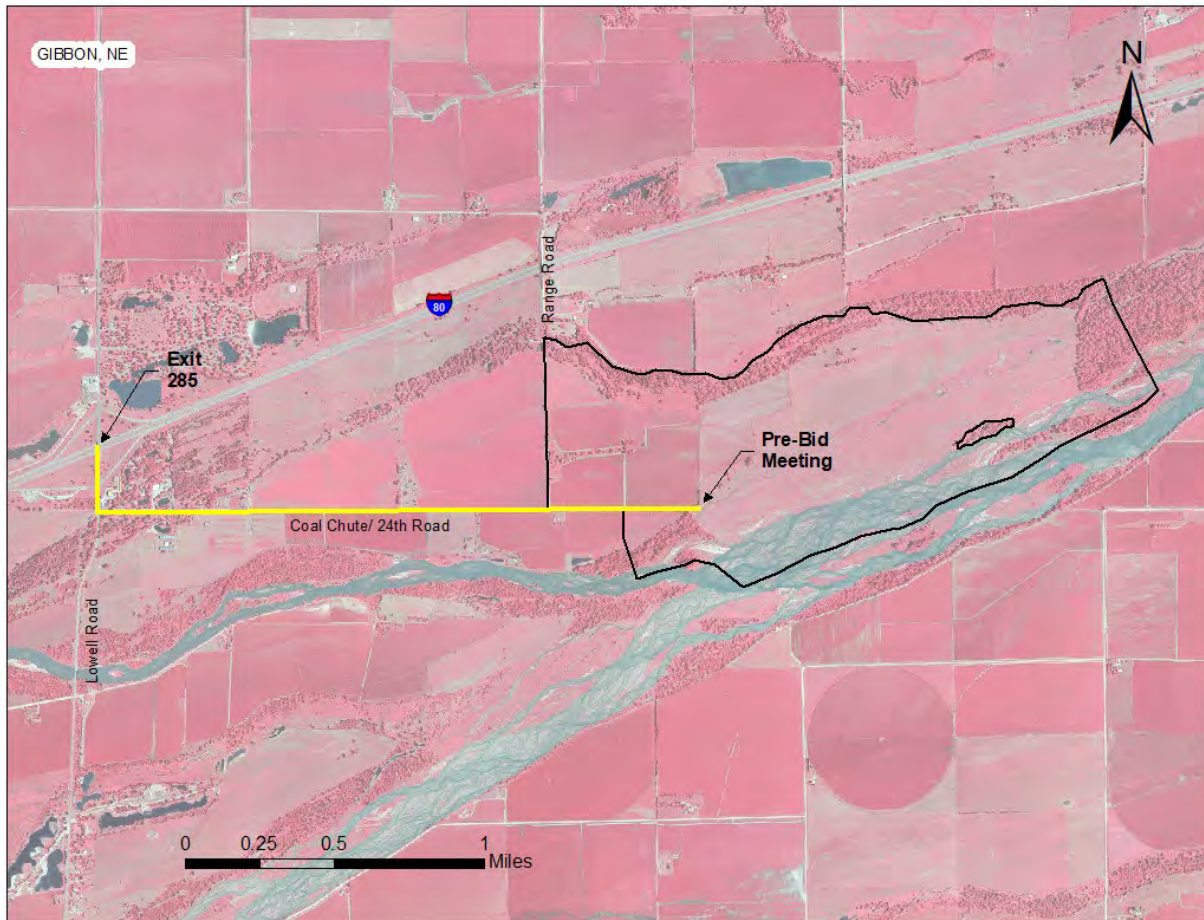
THIS QUOTE SUBMITTED ON DATE: \_\_\_\_\_

# Directions to MANDATORY Pre-Bid Meeting

**Date and Time:** Friday, March 12, 2021 at 1:00 PM CT

**Location:** Tract 2018001 of the Clark Island Complex

**Map:**



From I-80 Exit 285 (Gibbon):

Travel 0.2 mile south on Lowell Road, turn east onto Coal Chute/ 24th Road and travel 2 miles to parking area.

The Contractor is required to submit quotes for all work Items below:

| Item No.     | Description                              | Unit | Estimated Quantity | Bid Unit Price | Bid Price |
|--------------|--|------|--------------------|----------------|-----------|
| 001          | Mobilization and Demobilization          | LS   | 1                  | \$ N/A         | \$        |
| 002          | Fence Repair*                            | LF   | 8,555              | \$             | \$        |
| 003          | Fence Construction                       | LF   | 2,021              | \$             | \$        |
| 004          | Metal Tube Gate & Installation (12 foot) | EA   | 2                  | \$             | \$        |
| 005          | Metal Tube Gate & Installation (16 foot) | EA   | 2                  | \$             | \$        |
| 006          | Metal Tube Gate & Installation (4 foot)  | EA   | 2                  | \$             | \$        |
| <b>TOTAL</b> |  |      |                    |                | \$        |

\* Quote is an estimate for labor. Material purchased to use to repair fence will be reimbursed at costs listed below:

|                         |    |
|-------------------------|----|
| Barbed wire (LF)        | \$ |
| T-posts (Each)          | \$ |
| 4" Creosote Post (Each) | \$ |
| _____                   | \$ |
| _____                   | \$ |
| _____                   | \$ |
| _____                   | \$ |
| _____                   | \$ |

**TOTAL QUOTE PRICE** \_\_\_\_\_  
 \_\_\_\_\_ dollars (\$ \_\_\_\_\_ )

**WORK COMPLETION DATE:** \_\_\_\_\_

**THIS QUOTE SUBMITTED BY:**

**An Individual**

Name (typed or printed): \_\_\_\_\_

By: \_\_\_\_\_ (SEAL)

*(Individual's signature)*

Doing business as: \_\_\_\_\_

**A Partnership**

Partnership Name: \_\_\_\_\_ (SEAL)

By: \_\_\_\_\_

*(Signature of general partner - attach evidence of authority to sign)*

Name (typed or printed): \_\_\_\_\_

**A Corporation**

Corporation Name: \_\_\_\_\_ (SEAL)

State of Incorporation: \_\_\_\_\_

Type (General Business, Professional, Service, Limited Liability): \_\_\_\_\_

By: \_\_\_\_\_

*(Signature - attach evidence of authority to sign)*

Name (typed or printed): \_\_\_\_\_

Title: \_\_\_\_\_

(CORPORATE SEAL)

Attest: \_\_\_\_\_

*(Signature of Corporate Secretary)*

**CONTACT INFORMATION:**

Bidder's Business Address: \_\_\_\_\_

Phone: \_\_\_\_\_ Email: \_\_\_\_\_



## PROJECT SPECIFICATIONS

### PART 01 GENERAL

#### 1.1 SUMMARY

1.1.1 Description of Work: Furnish equipment, transportation, labor, supervision, supplies, and materials, to install 4-wire barbed wire fence in accordance with the Construction and Material Specifications and in accordance to details on Sheet 4 for the project.

1.1.2 Location: Work under this Contract is in Buffalo County, Nebraska. The work site is located southeast of the city of Gibbon on the Platte River. Sheet 1 identifies the project location.

1.1.3 Schedule of Work: The performance period of this Contract shall be from date of award through **May 1, 2021 or as negotiated with successful bidder.**

#### 1.2 LIABILITY/INSURANCE

1.2.1 The successful bidder agrees to carry appropriate Workers' Compensation, hazard, and liability insurance coverage during the term of this contract. The successful bidder shall furnish the Program satisfactory proof of coverage of the applicable insurance required. Upon request from the Program, the Contractor shall have the Program and Nebraska Community Foundation named as an additional insured on the Contractor's policy and provide the Program with evidence that the appropriate insurance coverage is in effect. Any bidder being self-insured must submit complete documentation that shows the company has sufficient insurance coverage to cover the terms and conditions of the contract.

#### 1.3 QUALITY ASSURANCE

1.3.1 Code and Standards: The work shall comply with the specification as written, and with codes and standards applicable to this type of work. This Contract may incorporate the use of specialized equipment to perform the required end product, with the same force and effect as if they were given in full text.

#### 1.4 PROJECT/SITE CONDITIONS

1.4.1 Access to the Work: Public roads and unpaved access road on the property. All of work takes place within the floodplain of the Platte River.



**CONSTRUCTION AND MATERIAL SPECIFICATIONS**

**for**

P21-003 Tract 2018001 Fence Replacement

**The work to be performed under these specifications consists of:**

Activities in this project include constructing 2,021 LF of four-wire livestock fence, repairing 8,555 LF of existing four-wire livestock fence, installation of 2- 12-LF metal tube gates, installation of 2- 16-LF metal tube gates, and installation of 2- 4-LF metal tube gates.

**The proposed work is in parts of Sec 32, 33 T 9-N R 13-W approximately 4 miles from Gibbon, Nebraska.**

These specifications are a part of the construction plans. The work shall be performed in accordance with the drawings and specifications unless otherwise approved, in writing, by the Program’s Project Engineer. For items of work requiring Program inspection and/or approval, it is the responsibility of the contractor to keep the Project Engineer informed on the status of the work so that timely inspection may be provided. Work performed without the Program being provided the opportunity for inspection may not be accepted. **Work performed during the spring (March 6- April 29) and fall (October 9 - November 15) whooping crane migration time periods will require strict adherence to the Whooping Crane Incidental Take Avoidance Procedures.** All work on the project will conform to the title drawings and the following applicable specifications are marked in Column No. 1.

| COL. #1 | SPEC. NO. | SPECIFICATION TITLE  |
|---------|-----------|--|
| X       | CS-01     | Mobilization and Demobilization                            |
| X       | CS-92     | Field Fence  |
| X       | MS-585    | Wood Preservatives and Treatment                           |
| X       | MS-591    | Field Fencing Material                                     |
| X       | N/A       | <b>Whooping Crane Incidental Take Avoidance Procedures</b> |
|         |           |  |



## CONSTRUCTION SPECIFICATION CS-01

### MOBILIZATION AND DEMOBILIZATION

#### 1. Description.

The work shall consist of the mobilization and demobilization of the Contractor's forces and the equipment necessary for performing the work described in the Request for Quote and detailed in the Construction Plan Sheets.

#### 2. Equipment & Materials.

**2.1** Mobilization shall include all activities and costs for transportation of personnel, equipment and supplies/materials to the site, establishment of offices, buildings, and other necessary facilities for the Contractor's operations at the site.

**2.2** Demobilization shall include all activities and costs for transportation of personnel, equipment, and any excess supplies/materials, including the disassembly, removal and site cleanup of any offices, buildings or other facilities assembled on the site by the Contractor.

**2.3** The Contractor shall be responsible for all required permits for transportation of the Contractor's equipment. All equipment and materials shall be mobilized and demobilized in accordance with all local, state, and federal laws related to transportation and safety.

**2.4** Upon completion of the work, the Contractor shall restore all access areas to the same condition as prior to the start of the work.

**2.5** The Contractor is responsible for security of the Contractor's equipment while on site.

#### 3. Measurement and Method of Payment

**3.1** Payment of the lump sum price for mobilization and demobilization shall be made after the work is completed, after presentation of invoices by the Contractor.

**3.2** Payment will not be made under this item for the purchase costs of materials having a residual value, the purchase costs of materials to be incorporated in the project, or the purchase costs of operating supplies.

# Construction Specification 92—Field Fence

## 1. Scope

The work shall consist of furnishing and installing field fence, including gates and fittings.

## 2. Material

Material for field fence shall conform to the requirements of Material Specification 591. All wooden posts shall be of the same species, when available.

Unless otherwise specified, surfacing, cutting, and boring of preservative treated wooden posts and braces shall be completed before treatment. If field cutting or field repair of treated material is approved, all cuts and abrasions shall be carefully trimmed and coated with copper naphthenate preservative containing a minimum of 2.0 percent copper metal. The treatment preservative shall be applied according to the product label. Any excess preservative not absorbed by the wood member shall be cleaned from the surface prior to the use of the member. Bored holes for connectors or bolts may be treated by pumping coal-tar roofing cement meeting ASTM D5643 into the holes using a caulk gun or similar device. After assembly, any unfilled holes shall be plugged with tightly fitting wooden plugs that have been treated with preservative as specified.

## 3. Setting posts

Concrete or wood posts shall be set in holes and backfilled with earth except where otherwise specified. Wood posts may be driven when approved by the engineer. Steel posts shall be driven unless otherwise specified.

Holes for installing fence posts shall be at least 6 inches larger than the diameter or side dimension of the posts.

Earth backfill around posts shall be thoroughly tamped in layers not thicker than 4 inches and shall completely fill the posthole up to the ground surface. Concrete backfill around posts shall be rodded into place in layers not thicker than 12 inches and shall completely fill the posthole to the surface of the ground. Backfill, either earth or concrete, shall be crowned-up around posts at the ground surface.

No stress shall be applied to posts set in concrete for a period of not less than 24 hours following the development of a firm set of the concrete.

## 4. Corner assembly

Unless otherwise specified in section, corner assemblies shall be installed at all points where the fence alignment changes 15 degrees or more.

## 5. End panels

End panels shall be built at gates and fence ends.

## 6. Pull post assembly

Pull post assembly (bracing within a section of straight fence) shall be installed at the following locations:

- a. In straight fence sections, at intervals not to exceed 660 feet.
- b. At any point where the vertical angle described by two adjacent reaches of wire is upward and exceeds 10 degrees (unless otherwise specified).
- c. At the beginning and end of each curved fence section.



## 7. Attaching fencing to posts

The fencing shall be stretched and attached to posts as follows:

- a. The fencing wire or netting shall be placed on the side of the post opposite the area being protected except for installation along curved sections.
- b. The fencing wire or netting shall be placed on the outside for installation along curved sections.
- c. The fencing wire or netting shall be fastened to each end post, corner post, and pull post by wrapping each horizontal strand around the post and tying it back on itself with not less than three tightly wound wraps.
- d. The fencing wire or netting shall be fastened to wooden line posts by means of steel staples. Woven-wire fencing shall be attached at alternate horizontal strands. Each strand of barbed wire shall be attached to each post. Steel staples shall be driven diagonally with the grain of wood and at a slight downward angle and shall not be driven so tightly as to bind the wire against the post.
- e. The fencing wire or netting shall be fastened to steel or concrete line posts with either two turns of 14 gauge galvanized steel or iron wire or in accordance with recommendations provided by the post's manufacturer.
- f. Wire shall be spliced by means of a Western Union splice or by suitable splice sleeves applied with a tool designed for that purpose. The Western Union splice shall have no less than eight wraps of each end about the other. All wraps shall be tightly wound and closely spaced. Splices made with splice sleeves shall have a tensile strength no less than 80 percent of the strength of the wire being spliced.

## 8. Stays

Stays shall be attached to the fencing at the spacing as shown on the drawings to ensure maintenance of the proper spacing of the fence wire strands.

## 9. Crossings at depressions and watercourses

Where fencing is installed parallel to the ground surface, the line posts subject to upward pull shall be anchored.

- a. If the fence wire or netting is installed parallel to the ground surface, the line posts subject to uplift shall be anchored by means of extra embedment or by special anchors as detailed on the drawings.
- b. If the fence wire is installed with the top wire straight and parallel to the ground surface on either side of the depression, extra length posts shall be used to allow normal post embedment. Unless otherwise specified, excess space between the bottom of the fence and the ground shall be closed with extra strands of barbed wire or with netting.

## 10. Measurement and payment

**Method 1**—The length of each type and kind of fence is measured to the nearest foot along the profile of the fence, including gate openings. Payment for each type and kind of fence is made at the contract unit price for that type and kind of fence. Such payment constitutes full compensation for completion of the work, including fabricating and installing gates.

**Method 2**—The length of each type and kind of fence is measured to the nearest foot along the profile of the fence, excluding gate openings. Payment is made at the contract unit price for the specified height of fence. The number of each size and type of gate installed is determined. Payment is made at the contract unit price for that type and size of gate. Such payment constitutes full compensation for all labor, material, equipment, and all other items necessary and incidental to the completion of the work.

**All methods**—The following provisions apply to all methods of measurement and payment. Compensation for any item of work described in the contract, but not listed in the bid schedule, is included in the payment for the item of work to which it is made subsidiary.

## 11. Items of work and construction details

## Material Specification 591—Field Fencing Material

### 1. Scope

This specification provides the minimum quality requirements for the material used in the construction of field fences.

### 2. Wire gauge

When the size of steel wire is designated by gage number, the diameter must be as defined for U.S. Steel Wire Gauge.

### 3. Fencing

Fencing material must conform to the requirements of ASTM A121 for barbed wire, ASTM A16 for woven wire, ASTM A390 for poultry fence or netting, and ASTM A854 for high-tensile wire. Barbed wire and woven wire must be class-3 zinc coated as specified in ASTM A641 unless otherwise specified. High-tensile wire must have type-I zinc coating unless otherwise specified.

### 4. Stays, fasteners, and tension wire

Stays and fasteners must conform to the requirements of the specified ASTM for the fencing material. Tension wires must have a tensile strength not less than 58,000 pounds per square inch. Stays, fasteners, and tension wire must have class-3 zinc coating as specified in ASTM A641 unless otherwise specified.

### 5. Wood fence posts and braces

Unless otherwise specified, wood posts must be naturally rot resistant, preservative-treated, or other wood of equal life and strength. At least half the diameter or diagonal dimension of naturally rot resistant posts must be in heartwood. Provide new wood posts that are sound, free from decay with all limbs trimmed substantially flush with the body. All posts must be substantially straight throughout their full length.

Make tops convex rounded or inclined. Provide posts free of ring shake, season cracks more than ¼-inch wide, splits in the end, and unsound knots. Pine must be pressure treated in conformance with Material Specification 585, Wood Preservatives and Treatment. Wood braces must be of wood material equal to or better than construction grade Douglas fir. Wood braces must be pressure treated in conformance with Material Specification 585.

### 6. Steel fence posts and braces

Steel fence posts must conform to the requirements of ASTM A702. Posts with punched tabs for fastening the wires must not be installed. Bracing pipes must conform to the requirements of ASTM A53 except that the A53 requirements for hydrostatic test will not apply.

### 7. Concrete fence posts

Concrete fence posts must be manufactured to the specified requirements of size, shape, and strength.

### 8. Panel gates

Panel gates must be the specified types, sizes, and quality and include the necessary fittings required for installation. Gates must be of rigid construction free from sag or twist. The fittings must consist of not less than two hinges and one latch or galvanized chain for fastening. Latches must be of such design that a padlock may be used for locking. All fittings must be of equal or greater quality than the gate manufacturer's standard.

**9. Wire gates**

Wire gates must be the type shown on the drawings, constructed in accordance with specifications, at the locations, and to the dimensions shown on the drawings. The material must conform to the kinds, grades, and sizes specified for new fence, and must include the necessary fittings and stays.

**10. Staples**

Staples required to secure the fence wire to wood posts must be 9-gauge galvanized wire with a minimum length of 1.5 inches for soft woods and a minimum length of 1 inch for close-grain hardwoods.

**11. Galvanizing**

All iron and steel fencing material, except as otherwise specified, must be zinc coated by the hot dip process meeting the requirements of Material Specification 582. Clips, bolts, and other small hardware must be protected by hot-dipped galvanizing, electro-deposited zinc, or cadmium coating.

---

## Material Specification 585—Wood Preservatives and Treatment

### 1. Scope

This specification covers the quality of wood preservatives, treatment processes, quality of treated material, and marking related to preservative treatment. Included are requirements for fasteners, connectors, and any other metal that will be in contact with preservative treated wood.

### 2. Treatment processes

Treatment processes may use any combination of atmospheric pressure, pressurized air, or vacuum and pressure that will achieve the desired results without damaging the wood.

### 3. Preservatives

The wood must be treated with the specified type of preservative. **PRRIP requires creosote type preservative.**

### 4. Quality of treated material

Treated lumber, timber, piles, poles, or posts must be free from heat checks, water bursts, excessive checking, chafing damage, or from any other damage or defects that would impair their usefulness or durability for the purpose intended. The use of s-irons is not permitted. Holes bored for tests must be filled with tight fitting, treated wood plugs.

### 5. Marking

Each treated wood item delivered to the job site must be identified with a label, brand, or stamp that lists the product name or logo, treatment company name and location, names of the preservative components, treatment end use category, minimum retention, and the applicable AWPATreatment standard or the number of the evaluation report from an evaluation service recognized by the International Code Council at <http://www.iccsafe.org>.

### 6. Fasteners and Connectors

All fasteners, connectors, and any other metal contacting preservative treated wood must be hot-dip galvanized or stainless steel. Unless otherwise specified, all fasteners, connectors, and any other metal contacting ammoniacal copper zinc arsenate (AVZA), alkali copper quaternary (ACQ), micronized copper quaternary (MCQ) copper azole (CA) or micronized copper azole (MCA) treated wood must be stainless steel. Galvanizing for fasteners must conform to ASTM A153. Galvanizing for connectors made from steel sheet must conform to ASTM A653, Class G185. Galvanizing for all other metal in contact with preservative treated wood must conform to ASTM A123. Stainless steel must be AISI Type 304 or 316.



**PLATTE RIVER RECOVERY IMPLEMENTATION PROGRAM  
Whooping Crane Incidental Take Avoidance Procedures**

1. Between the dates of March 6 and April 29, or October 9 and November 15, the CONTRACTOR will not begin work within 0.25 miles of the Platte River channel until one of the following requirements has been met each day: 1) The CONTRACTOR observes the airplane conducting whooping crane surveys during their daily flights over the work area without circling back to verify a whooping crane sighting; 2) it is at least one (1) hour after sunrise and the CONTRACTOR has visually confirmed there are no whooping cranes or large white birds in the work area; or 3) the Executive Director’s Office (EDO) has confirmed the lack of whooping cranes in the work area. If the CONTRACTOR has any suspicion or question as to whether or not a whooping crane is present in the area, they will not start work until confirmation is made by the EDO or the bird(s) are observed leaving on their own accord by the CONTRACTOR who has reported the observation to the EDO and has been granted permission to begin work. *The CONTRACTOR will contact the EDO immediately by telephone any time they suspect they may have observed a whooping crane; no other contacts will be made until approved by the EDO.* The primary and secondary EDO points of contact for potential whooping crane sightings are:

**PRIMARY CONTACT**

Dr. Malinda Henry  
 Mobile: (308) 237-5728  
 Office: (308) 237-5728  
[henrym@headwaterscorp.com](mailto:henrym@headwaterscorp.com)

**SECONDARY CONTACT**

Jason Farnsworth  
 Mobile: (308) 991-7602  
 Office: (308) 237-5728  
[farnsworthj@headwaterscorp.com](mailto:farnsworthj@headwaterscorp.com)

2. The PROGRAM conducts daily whooping crane surveys by flying an airplane up the river at an elevation of 750 ft. starting one-half (1/2) hour before sunrise when conditions allow. When the plane observes a white object they circle around to determine what it is. If a whooping crane is observed, they notify the EDO in order for the EDO to obtain a confirmation of the sighting from the ground. If the plane flies over the work area without circling, then there likely are not any whooping cranes in the area; however, the CONTRACTOR must visually confirm there are no whooping cranes or large white birds in the work area prior to beginning work each day. The EDO will contact the CONTRACTOR immediately by telephone if a potential whooping crane is identified within the area they are conducting work.
3. If the CONTRACTOR observes a whooping crane or what they suspect might be a whooping crane, the field crew must leave the area immediately, notify the EDO, and not return until permission has been granted by the EDO.
4. Between the dates of March 6 and April 29, or October 9 and November 15, the CONTRACTOR will end all activities within 0.25 miles of a Platte River channel two hours prior to sunset unless otherwise approved by the EDO. All equipment used by the CONTRACTOR will be parked and stored at least 0.25 miles from the nearest Platte River channel and behind a tree line when available.

| ITEM | DESCRIPTION                    | UNITS | PRELIM QUANTS | FINAL QUANTS |
|------|--------------------------------|-------|---------------|--------------|
| 001  | MOBILIZATION                   | LS    | 1             |              |
| 002  | FENCE CONSTRUCTION             | LF    | 2021          |              |
| 003  | FENCE REPAIR                   | LF    | 8555          |              |
| 004  | 16 Ft. METAL GATE INSTALLATION | EA    | 2             |              |
| 005  | 12 Ft. METAL GATE INSTALLATION | EA    | 2             |              |
| 006  | 4 Ft. METAL GATE INSTALLATION  | EA    | 2             |              |

## PLATTE RIVER RECOVERY IMPLEMENTATION PROGRAM

# Tract 2018001 Fence Replacement/ Repair Project

IN BUFFALO COUNTY, NE

### SPECIFICATIONS

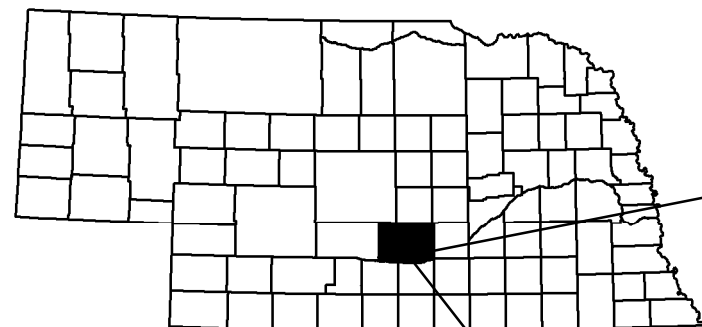
CS-01 MOBILIZATION AND DEMOBILIZATION  
CS-92 FIELD FENCE

### MATERIAL SPECIFICATIONS

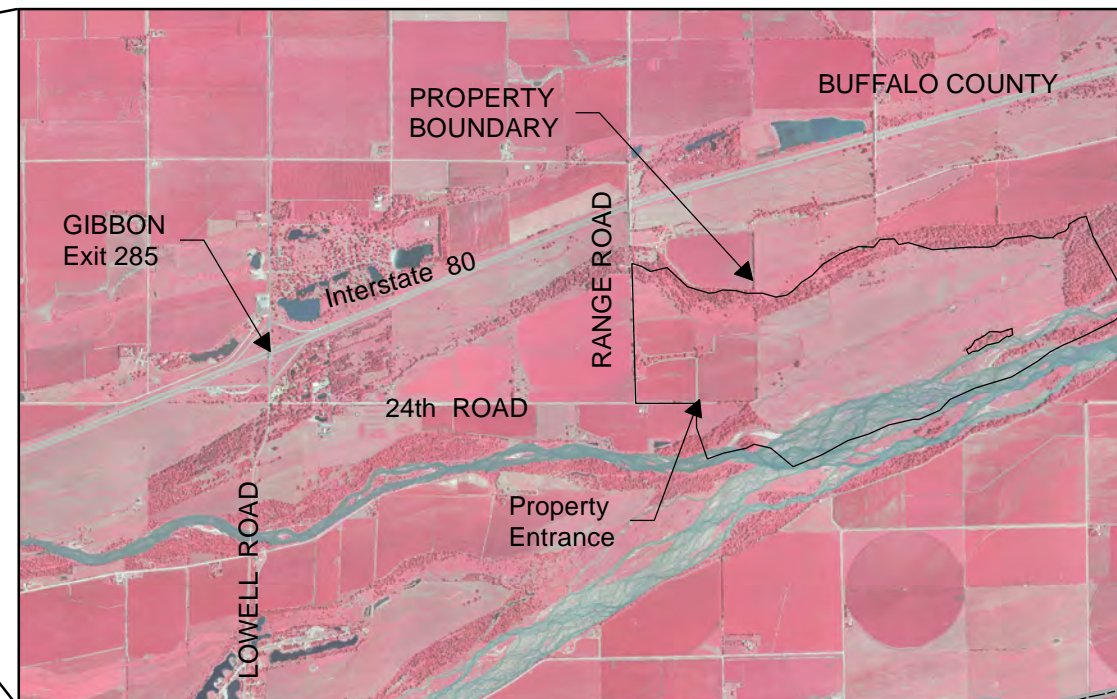
MS-591 FIELD FENCING MATERIAL  
MS-585 WOOD PRESERVATIVES AND TREATMENT

### INDEX

- 1 COVER SHEET
- 2 FENCE CONSTRUCTION LAYOUT
- 3 FENCE CONSTRUCTION LAYOUT
- 4 FENCE DETAILS



**PROJECT LOCATION**



**CAUTION**

The Platte River Recovery Implementation Program will not be responsible for, or liable for, unauthorized changes to, or uses of these plans. All changes to the plans must be in writing and must be approved by the Program.



PROJECT NO. P21-003

Tract 2018001 Fence Replacement/ Repair Project

**COVER SHEET**

SHEET NO:

**1 of 4**

DATE:

02/25/21

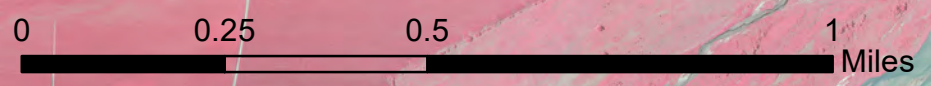
DRAWN BY:

TRT

NOTES:

- 1) Project engineer will flag fence alignment and gate locations prior to construction of new livestock fence
- 2) Construct 1,749 LF of four-wire livestock fence, 1- 16 FT metal gate, and repair 8,555 LF of barbed wire fence. See sheet 4 for details.
- 3) It is the contractor's responsibility to call the "Diggers Hotline" number to verify any conflicting utilities prior to beginning any work.

BUFFALO COUNTY



|   |                   |                  |
|---|-------------------|------------------|
| PROJECT NO. P21-003                             |                   |                  |
| Tract 2018001 Fence Replacement/ Repair Project |                   |                  |
| <b>FENCE CONSTRUCTION LAYOUT</b>                |                   |                  |
| SHEET NO:<br><b>2 of 4</b>                      | DATE:<br>02/25/21 | DRAWN BY:<br>TRT |

NOTES:

- 1) Project engineer will flag fence alignment and gate locations prior to construction of new livestock fence
- 2) Construct 272 LF of four-wire livestock fence, 1- 16 FT metal gates, 2- 12 FT metal gates and 2- 4 FT walk in gate. See sheet 4 for details.
- 3) It is the contractor's responsibility to call the "Diggers Hotline" number to verify any conflicting utilities prior to beginning any work.

BUFFALO COUNTY



INSTALL GATES & FENCE. SEE SHEET 4 FOR DETAILS.

INSTALL 16 LF METAL GATE

INSTALL 2-12 LF METAL GATE AT ENTRANCE

INSTALL 4 LF METAL GATE

INSTALL 16 LF METAL GATE AT ENTRANCE

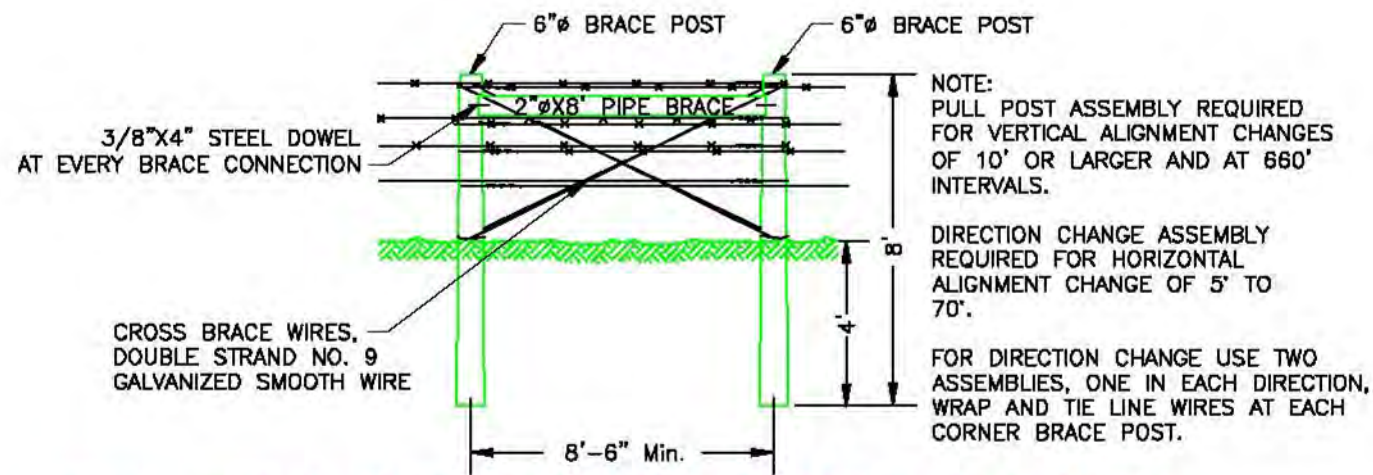
24th Road

INSTALL 272 LF FOUR WIRE LIVESTOCK FENCE. SEE SHEET 4 FOR DETAILS.

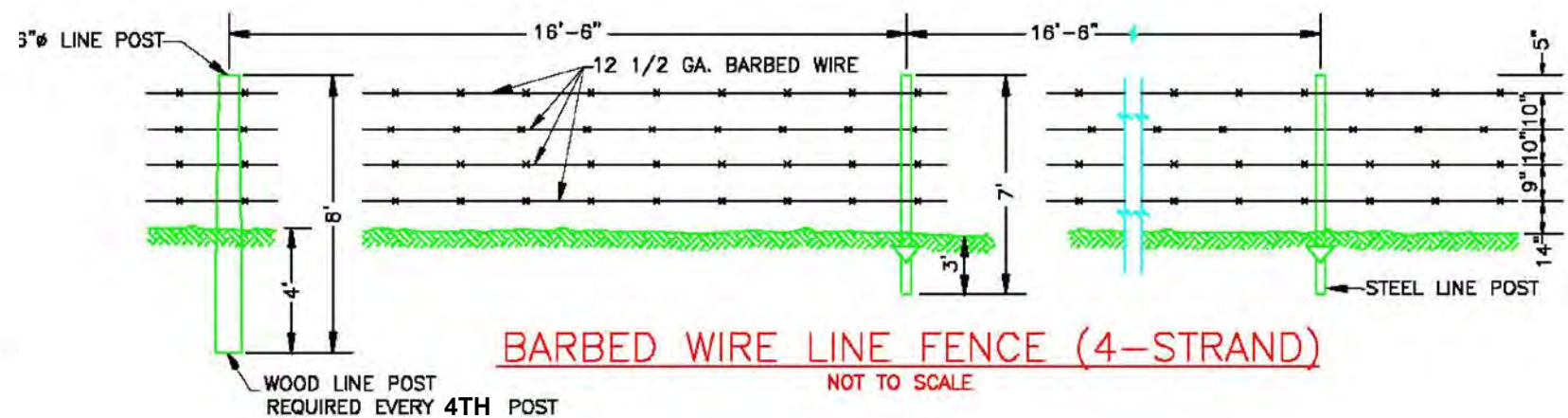


|   |                   |                  |
|---|-------------------|------------------|
| PROJECT NO. P21-003                             |                   |                  |
| Tract 2018001 Fence Replacement/ Repair Project |                   |                  |
| <b>FENCE CONSTRUCTION LAYOUT</b>                |                   |                  |
| SHEET NO:<br><b>3 of 4</b>                      | DATE:<br>02/25/21 | DRAWN BY:<br>TRT |

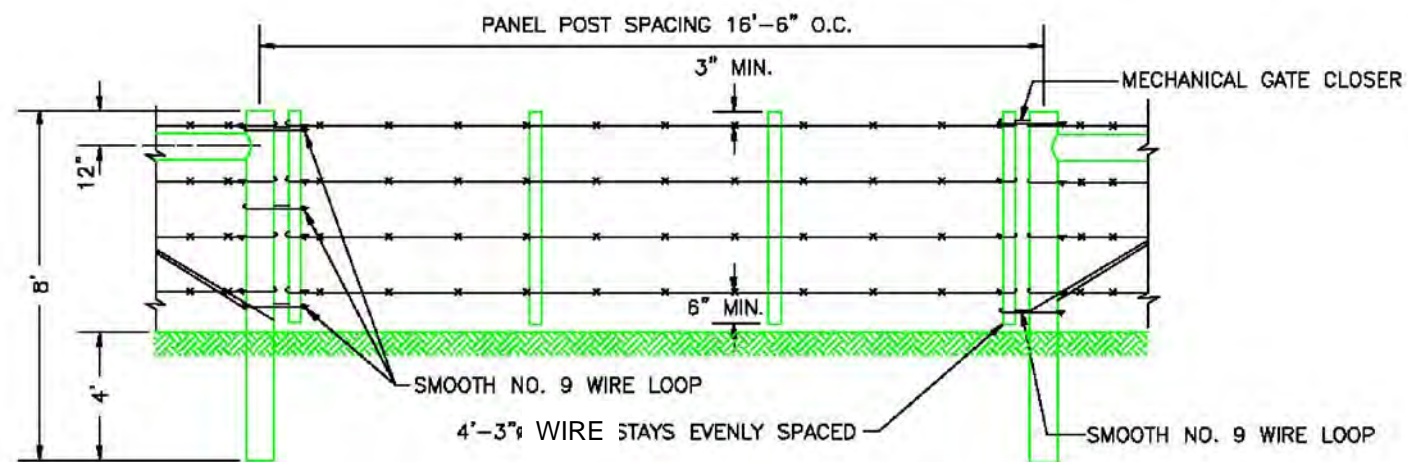




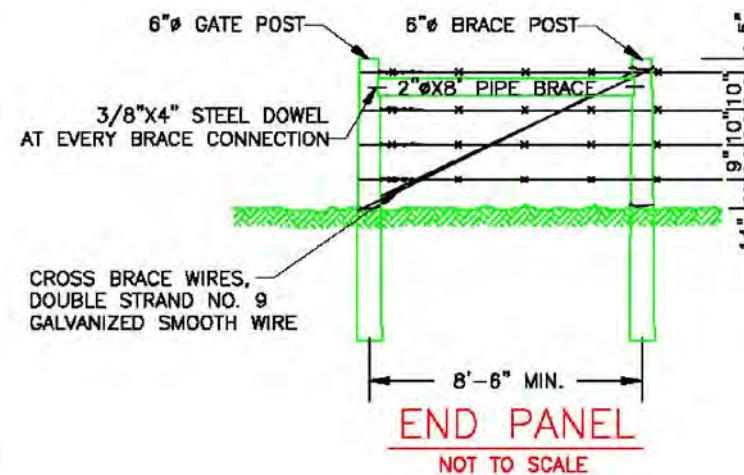
**PULL POST AND DIRECTION CHANGE ASSEMBLY**  
NOT TO SCALE



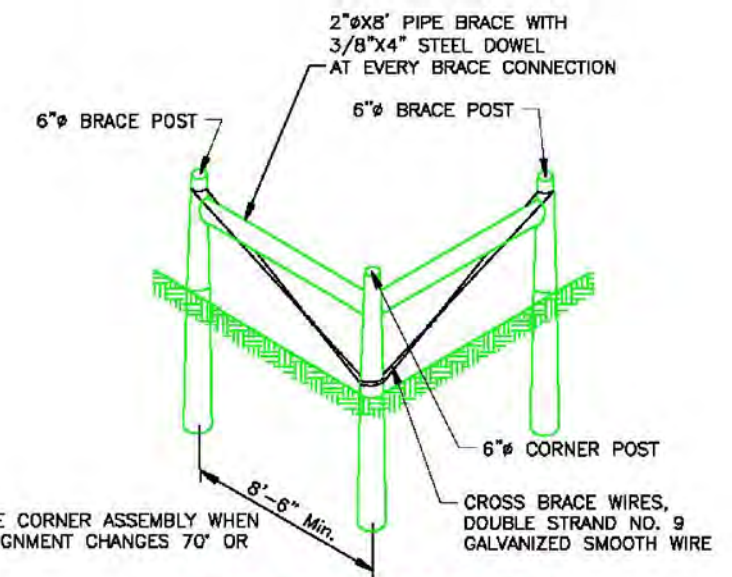
**BARBED WIRE LINE FENCE (4-STRAND)**  
NOT TO SCALE



**WIRE GATE**  
NOT TO SCALE



**END PANEL**  
NOT TO SCALE



**CORNER ASSEMBLY**  
NOT TO SCALE



**WESTERN UNION SPLICE**  
NOT TO SCALE

- NOTES:**
1. NOTCH GATE POSTS, BRACE POSTS, AND CORNER POSTS 1" FOR THE HORIZONTAL 2" DIAMETER BY 8' STEEL POST.
  2. FASTEN EACH HORIZONTAL BRACE WITH 3/8" x 4" STEEL DOWEL, 2" INTO THE POST.
  3. STAPLE NO. 9 CROSS-BRACE WIRES TO QUARTER POINTS OF POSTS.
  4. BARBED WIRE TO CONSIST OF TWO STRAND 12 1/2 GAUGE GALVANIZED WIRE WITH Z-POINT 14 GAUGE BARBS SPACE ON ABOUT 4" CENTERS. WIRE SHOULD BE RED-BRAND BARBED WIRE OR EQUIVALENT. WIRE SHOULD NEVER BE KINKED OR NICKED.
  5. ALL STEEL LINE POSTS SHALL BE TEE TYPE, WITH TRIANGULAR SHAPED GROUND PRESSURE PLATE. POSTS SHALL BE PAINTED IN ACCORDANCE WITH CONSTRUCTION SPECIFICATIONS. FASTEN BARBED WIRE TO LINE POSTS WITH STANDARD CLAMPS.
  6. ALL CORNER, GATE POSTS, AND PULL POSTS SHALL BE WOOD AND TREATED IN ACCORDANCE WITH CONSTRUCTION SPECIFICATIONS.
  7. STAPLES TO BE NO. 9 GAUGE, 1 1/2" LONG (1" LONG FOR HARDWOODS). AT CORNER AND GATE POSTS STAPLE EACH WIRE AT QUARTER POINTS OF POSTS. AT BRACE POSTS DOUBLE STAPLE EACH WIRE. DRIVE STAPLES DIAGONAL TO WOOD GRAIN AND AT A SLIGHT DOWNWARD ANGLE. WIRE SHALL BE WRAPPED AROUND EACH GATE POST, BRACE POST, AND CORNER POST TWICE AND TIED BACK ONTO ITSELF WITH AT LEAST 3 TIGHTLY WOUND WRAPS.
  8. POSTS SHALL BE SET VERTICALLY AND IN ALIGNMENT PER PLANS.
  9. WHEN WIRE SPLICE IS REQUIRED USE "WESTERN UNION SPLICE".
  10. BACKFILL SHALL BE TAMPED IN LAYERS LESS THAN 4", FILL HOLE TO GROUND LEVEL, EARTH FILL SHALL BE CROWNED AROUND POST.



PROJECT NO. P21-003

Tract 2018001 Fence Replacement/ Repair Project  
**FENCE DETAILS**

SHEET NO:

**4 of 4**

DATE:

02/25/21

DRAWN BY:

TRT